

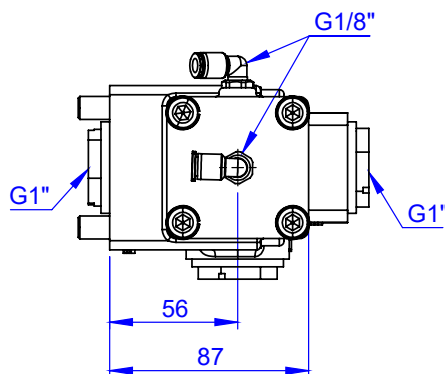
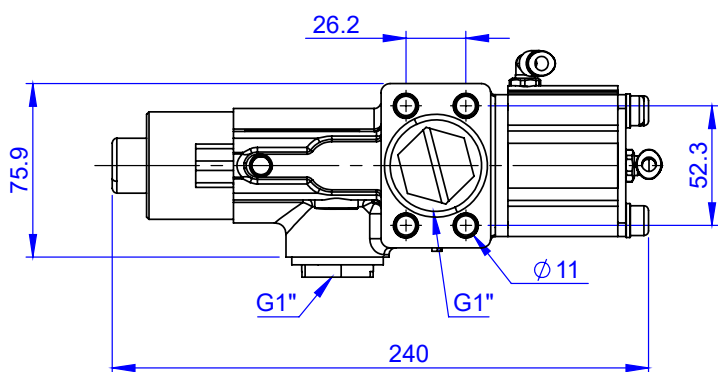


BY HIDROMAS

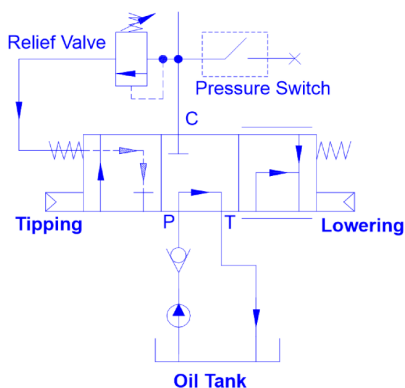
TELESCOPIC CYLINDER TECHNICAL INFORMATION

DCV 4B-140L (CM)

PRODUCT CODE: DCV36001063



SCHEMATIC DIAGRAM



Pneumatic Connection Of Air Control-Lowering

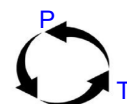
Pneumatic Connection Of Air Control-Tipping

Cylinder Connection (C)

Pressure Gauge Point

Pump Connection (P)

Tank Connection (T)



C
Oil Cycle

Relief Valve

Specifications			
Flow Rate	Q	l.p.m	140
Working Pressure	P1	bar	170
Max. Working Pressure	P2	bar	190
Max. Peak Pressure	P3	bar	250
Pneumatic Operating Pressure	P4	bar	6~10 (8 bar is ideal)
Oil Type	-	-	Mineral Oil (DIN 51524 /51525)
Oil Temperature	T	°C	-25~80
Recommended Oil Viscosity	V	cSt	12~100
Filtration	-	μ	≤ 25 (ISO 18/13)
DCV Type	-	-	Pressureless bypass in neutral position
Paint	-	-	RAL 7024 Thickness 25±5μ
SST / ASTM B117	-	-	Min 240 Hrs

